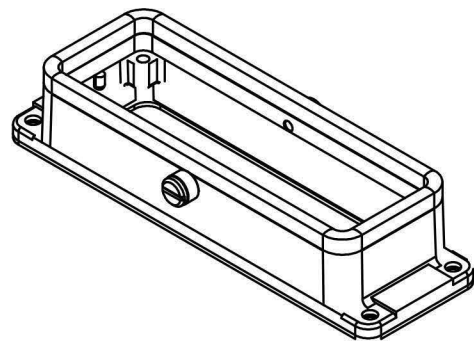


面板开孔图

Panel cut out



技术参数:

- 材料: 压铸铝
- 表面处理: 粉末喷涂
- 颜色: RAL 7037 (灰色)
- 温度范围: -40℃ - +125℃
- 防护等级: IP65 (联锁状态, IEC 60529)
- 出线方向: 底部出线
- 密封元件: NBR

Technical specification:

- Material: aluminium die-cast
- Surface: powder-coated
- Colour: RAL 7037(grey)
- Temperature range: -40℃ - +125℃
- Degree of protection: IP65  
(acc.to IEC 60529 for coupled connector)
- Cable entry: bottom entry
- Hoods/Housings sealing: NBR

|               |              |                  |                |         |                 |             |            |                                               |                   |                   |
|---------------|--------------|------------------|----------------|---------|-----------------|-------------|------------|-----------------------------------------------|-------------------|-------------------|
|               |              |                  |                |         | 表面处理<br>Finish  | -           |            |                                               | 图号<br>Drawing No. | -                 |
|               |              |                  |                |         | 材料<br>Material  | -           |            |                                               | 产品代号<br>Part Code | H16B-AG-RC        |
| 标记<br>Mark    | 处数<br>Number | 变更描述/Description |                |         | 签名<br>Signature | 日期<br>Date  |            |                                               | 产品料号<br>Part No.  | 1550160000        |
|               | 姓名/Name      | 日期/Date          |                | 姓名/Name | 日期/Date         | 比例<br>Scale | 版本<br>REV. | 重量<br>Weight                                  | 数量<br>Qty.        | 产品名称<br>Part Name |
| 绘图<br>Drawn   |              | 18.10.2010       | 标准化<br>Stand.  | -       | -               | 1:2         | V1.0       |                                               | -                 | -                 |
| 审核<br>Checked |              | 18.10.2010       |                |         |                 |             |            |                                               |                   |                   |
| 工艺<br>Process | -            | -                | 批准<br>Approved |         | 18.10.2010      |             |            | All Dimensions in mm<br>Original Size DIN A 4 |                   | 浙江西霸士电气有限公司       |