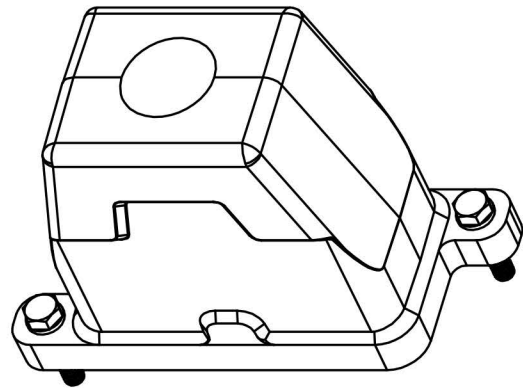


技术参数:

- 材料: 压铸铝
- 表面处理: 粉末喷涂
- 颜色: RAL 9005 (黑色)
- 温度范围: -40℃ - +125℃
- 防护等级: IP68/IP69K
- 出线方向: 顶出线
- 出线孔数: 1
- 螺纹规格: PG29

Technical specification:

- Material: aluminium die-cast
- Surface: powder-coated
- Colour: RAL 9005(black)
- Temperature range: -40℃ - +125℃
- Degree of protection: IP68/IP69K
- Cable entry: top entry
- No. of cable entries: 1
- Thread size: PG29



|               |              |                  |            |                |                 |                |             |   |              |                   |                     |            |
|---------------|--------------|------------------|------------|----------------|-----------------|----------------|-------------|---|--------------|-------------------|---------------------|------------|
|               |              |                  |            |                |                 | 表面处理<br>Finish | -           |   |              | 图号<br>Drawing No. | -                   |            |
|               |              |                  |            |                |                 | 材料<br>Material | -           |   |              | 产品代号<br>Part Code | H10BPR-TGH-PG29     |            |
| 标记<br>Mark    | 处数<br>Number | 变更描述/Description |            |                | 签名<br>Signature | 日期<br>Date     | 比例<br>Scale | 版本<br>REV.                                    | 重量<br>Weight | 数量<br>Qty.        | 产品料号<br>Part No.    | 1920100129 |
| 绘图<br>Drawn   |              | 姓名/Name          | 日期/Date    | 姓名/Name        | 日期/Date         | 1:2            | V1.0        | 500g  | -            | 产品名称<br>Part Name | -                   |            |
| 审核<br>Checked |              |                  | 18.10.2010 | 标准化<br>Stand.  | -               |                |             |   |              |                   |                     |            |
| 工艺<br>Process |              |                  |            | 批准<br>Approved |                 |                |             |   |              |                   |                     |            |
|               |              |                  |            |                | 18.10.2010      | ⊕              | ⊖           | All Dimensions in mm<br>Original Size DIN A 4 |              |                   | HDXBSCN 浙江西霸士电气有限公司 |            |